



The Lab Master VAA35 Series Isolation Valves are designed for use in gas control of high purity gas up to grade 5.0 purity (99.999%).

- **VAA35010** | High Pressure Isolation Valve, FKM Seal
- **VAA35011** | High Pressure Isolation Valve, EPDM Seal
- **VAA35012** | High Pressure Purge/Vent/Waste Valve, FKM Seal
- **VAA35013** | High Pressure Purge/Vent/Waste Valve, EPDM Seal

★ FEATURES

- Four point configuration (3 Inlet & 1 Outlet)
- Precise control of gas flow
- Tested for high pressure Oxygen use
- On / Off display (by green / red visual indicator)
- Rear Mounting for Panels
- 1/4 NPT female ports
- Mounting bracket (optional)

📦 MATERIAL

- **Body** 316L Stainless Steel
- **Seals** FKM / EPDM
- **Valve Seat** Polyamide (Nylon®)

👍 SPECIFICATION

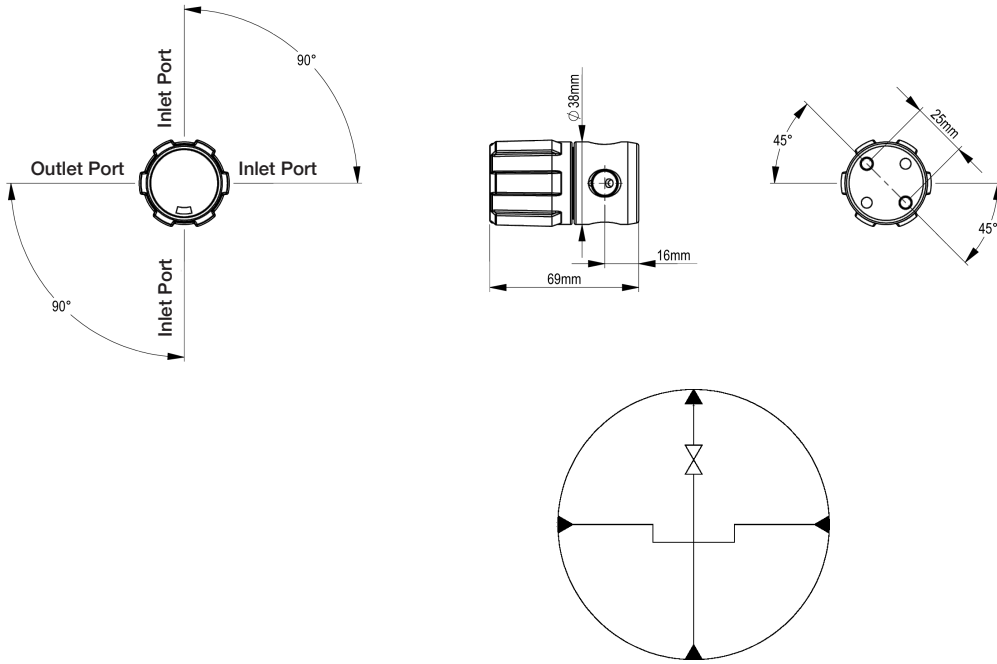
- **Pressure Service** 300 bar (4350 PSI)
- **Weight** 0.45 kg (0.99 lb)

1 2 3 MODEL NO. SELECTOR GUIDE

Part No.	Inlet Pressure Bar [PSI]	Inlet Connection	Outlet Connection	Seal Type
VAA35010	300 [4350]	1/4 NPT Female	1/4 NPT Female	FKM
VAA35011	300 [4350]	1/4 NPT Female	1/4 NPT Female	EPDM
VAA35012	300 [4350]	1/4 NPT Female	1/4 NPT Female	FKM
VAA35013	300 [4350]	1/4 NPT Female	1/4 NPT Female	EPDM

- **GCP37525** | Mounting Bracket *(optional accessory, needs to be ordered separately)*

DRAWINGS



Isolation Valve – Mounting Bracket *(optional accessory, needs to be ordered separately)*

