

GASARC™

AN ESAB® BRAND

LAB MASTER LGX5000 SERIES

5.0 Purity Two Stage Nickel Plated Brass Barstock Diaphragm Switch Change Gas Control Panel

The Lab Master LGX5000 series two stage switch change control panels are designed for primary pressure gas control of non-corrosive or toxic, high purity gases up to grade 5.0 purity (99.999%), on gas distribution systems where constant delivery pressure is required.

- **LGX5041 Series** | Two Stage Twin Cylinder Diaphragm Switch Change Gas Control Panel, FKM Pressure Relief Valve
- **LGX5042 Series** | Two Stage Twin Cylinder Diaphragm Switch Change Gas Control Panel, EPDM Pressure Relief Valve



★ FEATURES

- Compact design
- Two stage pressure regulation
- Encapsulated seat design
- Twin cylinder configuration

📄 MATERIALS

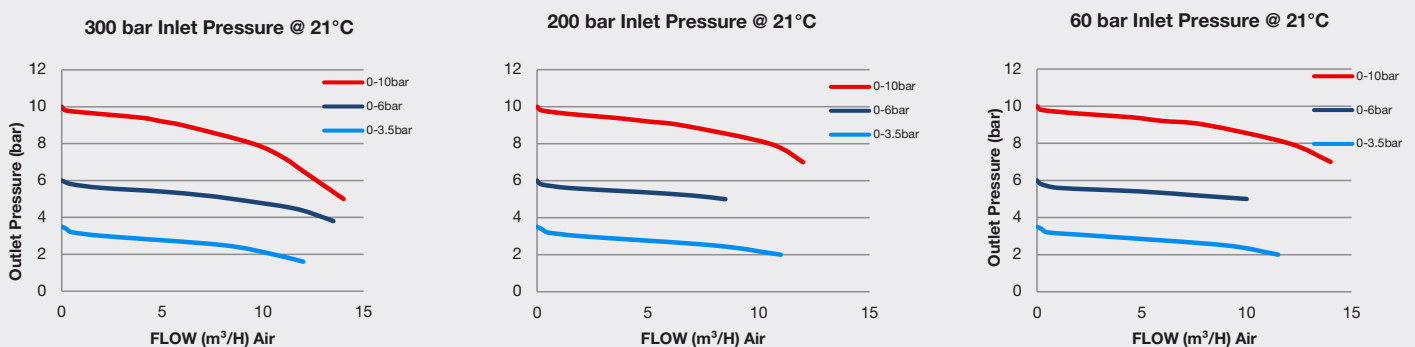
Body	Nickel Plated Brass Barstock
Bonnet	High Strength Alloy
Diaphragm	316L Stainless Steel
Seal	PTFE
Seat	Polyamide (Nylon®)
Filter	10 Micron 316L Stainless Steel

👍 SPECIFICATION

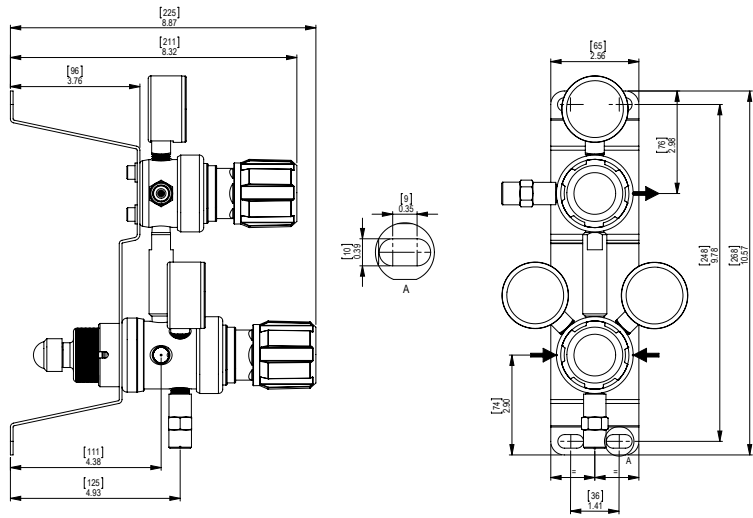
Maximum Inlet Pressure	60 bar (870 PSI) / 300 bar (4350 PSI)*
Delivery Pressure Range	3.5 bar (50 PSI) / 0-6 bar (90 PSI) / 10 bar (150 PSI)
Gauge	50mm (2") Diameter
Ports	1/4" NPT Female
Temperature Range	-20° C to +60° C (-4° F to +140° F)
Flow Coefficient (Cv)	0.078
Weight	3.5kg (7.72 lbs)****

* Subject to cylinder connection. **** Subject to final configuration.

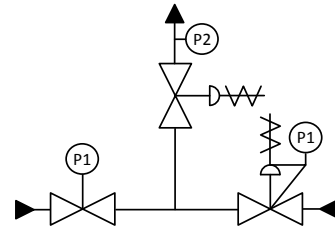
✓ FLOW PERFORMANCE

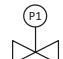

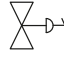


DIMENSIONS



PROCESS & INSTRUMENTATION



-  - Fixed Pressure Regulator with P1 Pressure Gauge
-  - Adjustable Pressure Regulator with P1 Pressure Gauge and Pressure Relief Valve
-  - Adjustable Pressure Regulator with Pressure Relief Valve

Model No. Selector Guide

Product Type	Inlet Pressure	Outlet Pressure	Inlet Pressure Gauge	Outlet Pressure Gauge	Inlet/Cylinder Connection	Outlet Connection	Options
LGX5041	02 60 bar / 870 PSI	03 -1 - 3.5 bar / 50 PSIG	00 No Gauge Fitted	00 No Gauge Fitted	000 No Inlet Fitted	00 No Outlet Fitted	A No Options Selected
LGX5042	04 300 bar / 4350 PSI	04 -1 - 6 bar / 90 PSIG	01 bar/PSI	01 bar/PSI	001 1/8 Stainless Steel Compression	01 1/8 Stainless Steel Compression	K Certificate of Conformity
		05 -1 - 10 bar / 150 PSIG	02 bar/PSI Contact Gauge		002 1/4 Stainless Steel Compression	02 1/4 Stainless Steel Compression	P Calibration / Pressure Test Certificate
					003 6mm Stainless Steel Compression	03 6mm Stainless Steel Compression	X Special Instruction
					004 1/4 NPT Male	04 1/4 NPT Male	
					007 G3/8 BSP R/H Brass Male	06 G1/2 BSP R/H Brass Male	
					008 G3/8 BSP L/H Brass Male	07 G3/8 BSP R/H Brass Male	
					058 1/4 NPTF 90° Elbow	08 G3/8 BSP L/H Brass Male	