



AN ESAB BRAND

Chem Master – Isolation Valve

6.0 Purity



The Chem Master VAA370 Series Isolation Valves are designed for use in corrosive, toxic or high purity gases up to grade 6.0 purity (99.9999%).

- **VAA37020** | High Pressure Isolation Valve, FKM Seal
- **VAA37021** | High Pressure Isolation Valve, EPDM Seal
- **VAA37022** | High Pressure Purge/Vent/Waste Valve, FKM Seal
- **VAA37023** | High Pressure Purge/Vent/Waste Valve, EPDM Seal

★ FEATURES

- Four point configuration (3 Inlet & 1 Outlet)
- Rear panel mounting facility
- Low wetted surface area for minimal purge requirements
- Piston design
- On / Off display (by green / red visual indicator)
- 1/4 NPT female ports
- Mounting bracket (optional)

🔧 MATERIAL

- **Body** 316L Stainless Steel
- **Piston** 316 L Stainless Steel
- **Valve Seat** PCTFE
- **Seals** FKM / EPDM

👍 SPECIFICATION

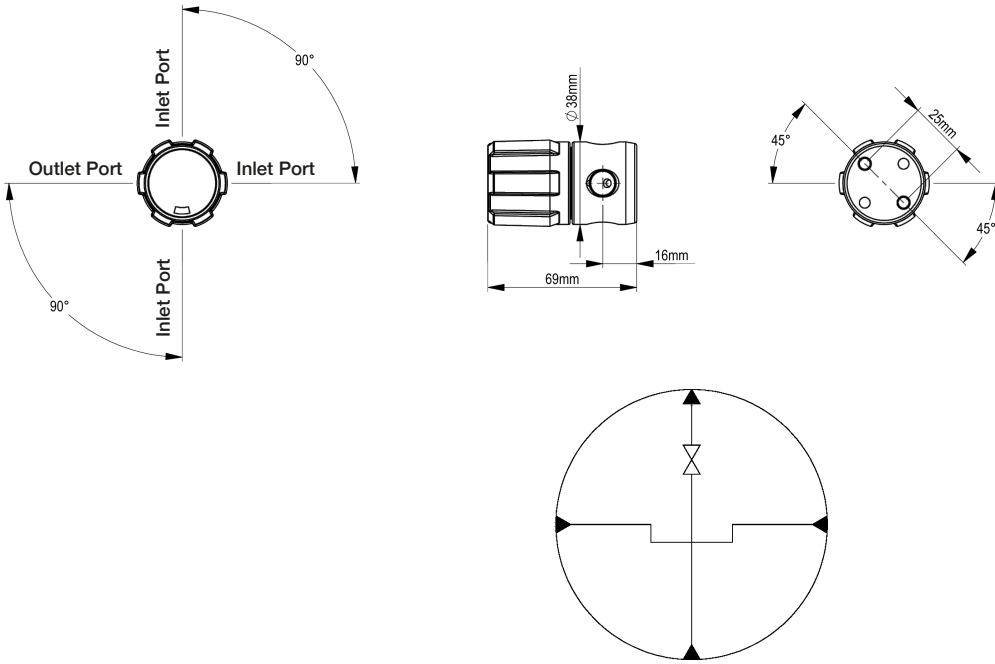
- **Pressure Service** 300 bar (4350 PSI)
- **Weight** 0.45 kg (0.99 lb)
- **Helium Leak Integrity** 1×10^{-9} mbar l/s

1 2 3 MODEL NO. SELECTOR GUIDE

Part No.	Inlet Pressure Bar [PSI]	Inlet Connection	Outlet Connection	Seal Type
VAA37020	300 [4350]	1/4 NPT Female	1/4 NPT Female	FKM
VAA37021	300 [4350]	1/4 NPT Female	1/4 NPT Female	EPDM
VAA37022	300 [4350]	1/4 NPT Female	1/4 NPT Female	FKM
VAA37023	300 [4350]	1/4 NPT Female	1/4 NPT Female	EPDM

- **GCP37525** | Mounting Bracket (*optional accessory, needs to be ordered separately*)

DRAWINGS



Isolation Valve – Mounting Bracket *(optional accessory, needs to be ordered separately)*

