

GASARC™

AN ESAB® BRAND

CHEM MASTER SGX6200 SERIES

6.0 Purity Two Stage Stainless Steel Piston Switch Change Gas Control Panel

The Chem Master SGX6200 series two stage switch change control panels are designed for primary pressure gas control of corrosive, toxic or high purity gases up to grade 6.0 purity (99.9999%), on gas distribution systems where constant delivery pressure is required.

- **SGX6241 Series** | Two Stage Twin Cylinder Piston Switch Change Gas Control Panel, FKM Seal
- **SGX6242 Series** | Two Stage Twin Cylinder Piston Switch Change Gas Control Panel, EPDM Seal



★ FEATURES

- Compact design
- Two stage pressure regulation
- Encapsulated seat design
- Twin cylinder configuration

📄 MATERIALS

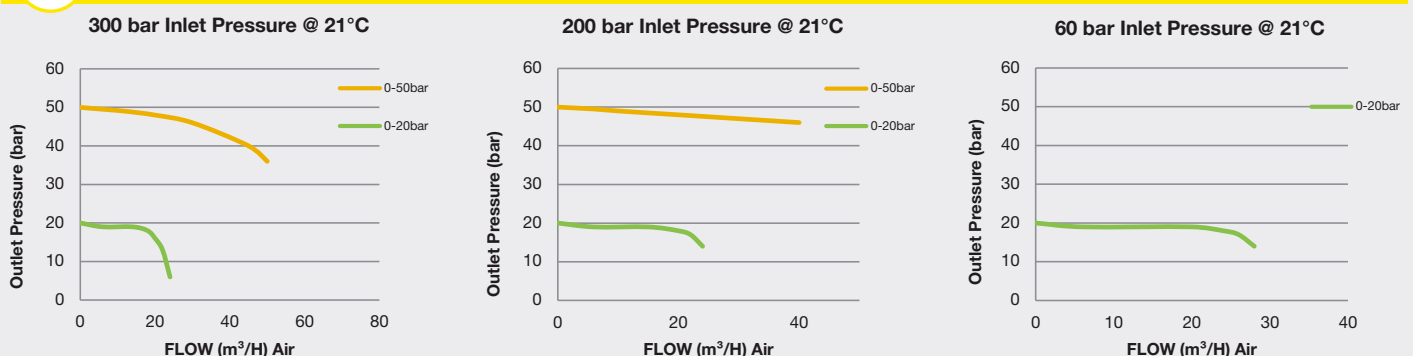
Body	316L Stainless Steel
Bonnet	Nickel Plated Brass Barstock
Piston	316L Stainless Steel
Seal	PTFE
Seat	PCTFE
Filter	10 Micron 316L Stainless Steel

👍 SPECIFICATION

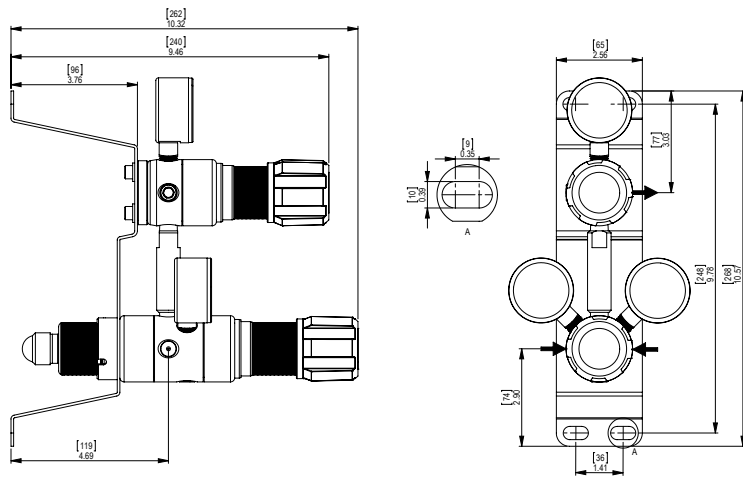
Maximum Inlet Pressure	60 bar (870 PSI) / 300 bar (4350 PSI)*
Delivery Pressure Range	20 bar (300 PSI) / 50 bar (725 PSI)
Gauge	50mm (2") Diameter
Ports	¼" NPT Female
Temperature Range	-20° C to +60° C (-4° F to +140° F)
Flow Coefficient (Cv)	0.078
Helium Leak Integrity	1x10 ⁻⁹ mbar l/s
Weight	3.5kg (7.72 lbs)****

** Cylinder connection not included. *** Nace and 3.1 material certificates available on request, Please contact the sales office for further information. **** Subject to final configuration.

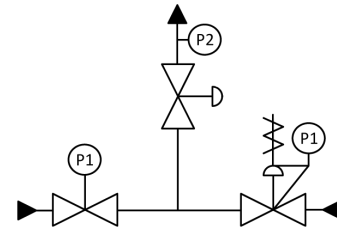
✓ FLOW PERFORMANCE



DIMENSIONS



PROCESS & INSTRUMENTATION



- Fixed Pressure Regulator with P1 Pressure Gauge
- Adjustable Pressure Regulator with P1 Pressure Gauge
- Adjustable Pressure Regulator with Pressure Relief Valve

Model No. Selector Guide

Product Type	Inlet Pressure	Outlet Pressure	Inlet Pressure Gauge	Outlet Pressure Gauge	Inlet Connection	Outlet Connection	Options
SGX6241	02 60 bar / 870 PSI	04 -1 - 6 bar / 90 PSIG	00 No Gauge Fitted	00 No Gauge Fitted	000 No Inlet Fitted	00 No Outlet Fitted	A No Options Selected
SGX6242	04 300 bar / 4350 PSI	05 -1 - 10 bar / 150 PSIG	01 bar/PSI	01 bar/PSI	001 1/8 Stainless Steel Compression	01 1/8 Stainless Steel Compression	F Bonnet Vent Capture Kit
			02 bar/PSI Contact Gauge	02 bar/PSI 3.1 Cert (stainless steel only)***	002 1/4 Stainless Steel Compression	02 1/4 Stainless Steel Compression	G Helium Test Certificate
			03 bar/PSI 3.1 Cert (stainless steel only)***		003 6mm Stainless Steel Compression	03 6mm Stainless Steel Compression	H 3.1 Material Certificate***
			04 bar/PSI Contact Gauge 3.1 Cert (stainless steel only)***		004 1/4 NPT Male	04 1/4 NPT Male	J NACE Certificate***
				058 1/4" NPTF Elbow		K Certificate of Conformity	
						P Calibration / Pressure Test Certificate	
						X Special Instruction	